

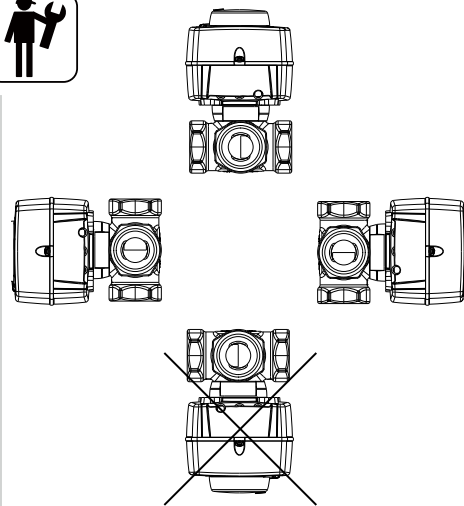
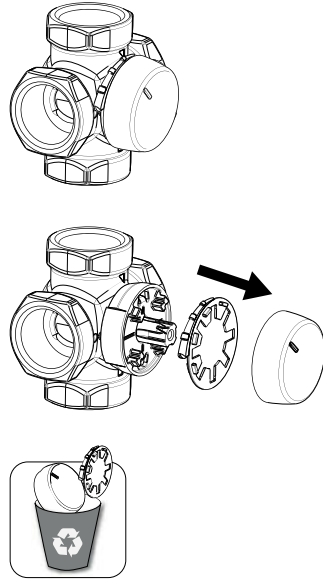
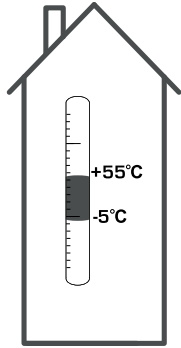
# ESBE SERIES ARA600 2-Point



Series ARA6x5  
Series ARA6x6  
Series ARA6x7  
Series ARA6x8

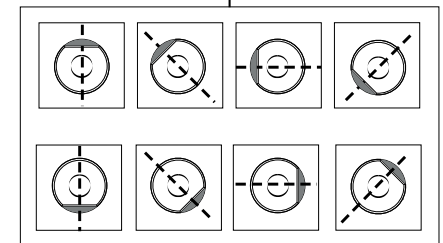
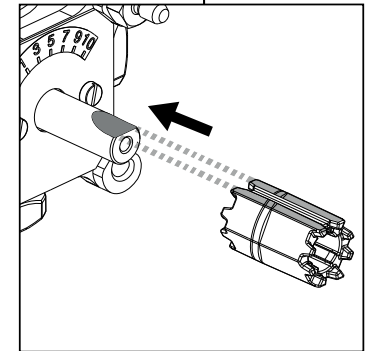
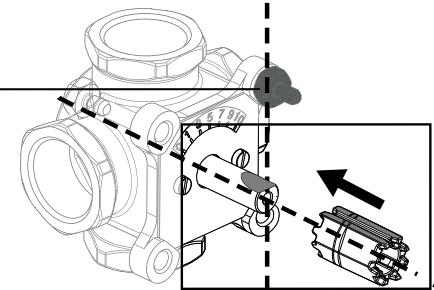
CE

LVD 2014/35/EU  
EMC 2014/30/EU  
RoHS 2011/65/EU



## Series MG, G, F, H, HG, BIV, T, TM

|  |            |  |
|--|------------|--|
|  | DN15-25    |  |
|  | DN20-40    |  |
|  | DN50       |  |
|  | DN20-25    |  |
|  | DN32-50    |  |
|  | H: DN25    |  |
|  | H: DN32-50 |  |
|  | HG: DN25   |  |
|  | DN20-22    |  |
|  | DN25       |  |
|  | T: DN20-32 |  |
|  | TM: DN20   |  |



VRG, VRB, VRH

3MG, 4MG



3G, 4G

3F, 4F ≤ DN50

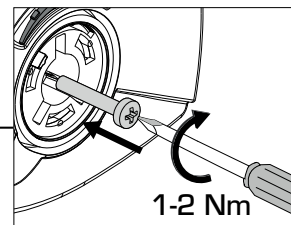
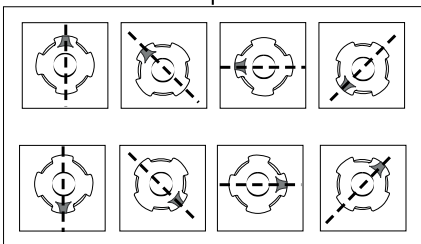
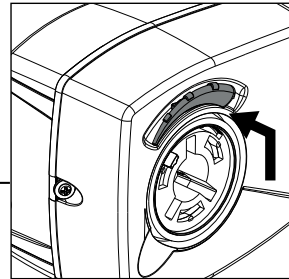
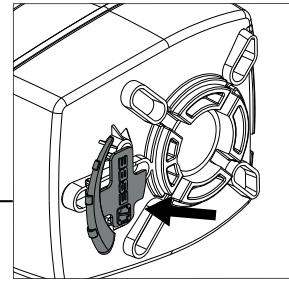
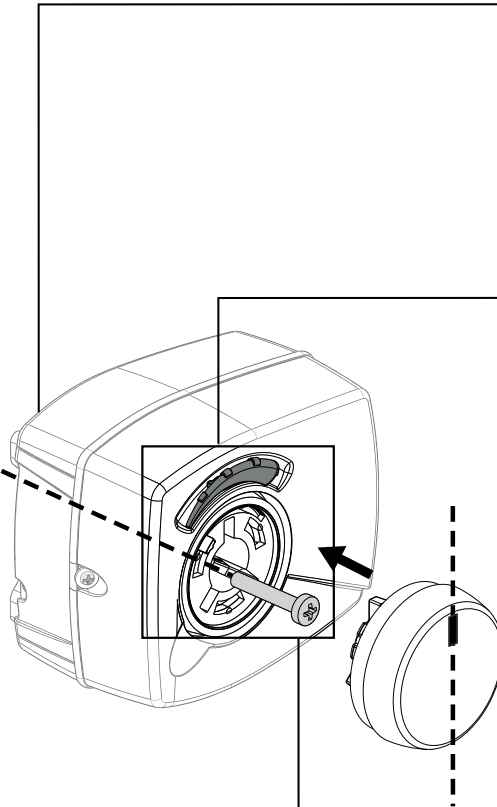
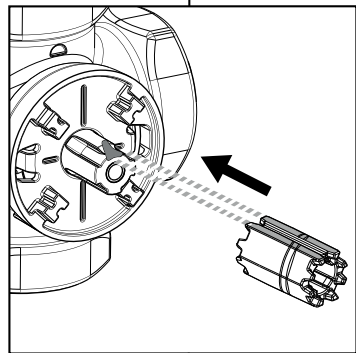
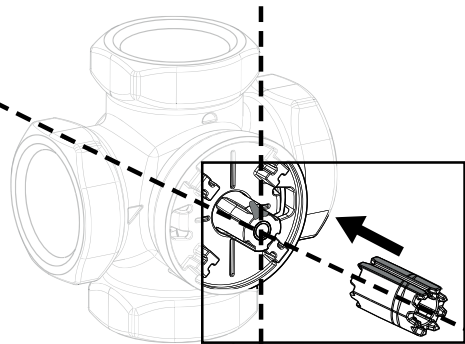
3HG, 4HG, 3H, 4H



BIV

T, TM

Series VRGxxx, VRBxxx, VRHxxx



Mtrl.nnr: 9814 02 74 • Ritm.nnr: 8080 utg. F • Rev.1608

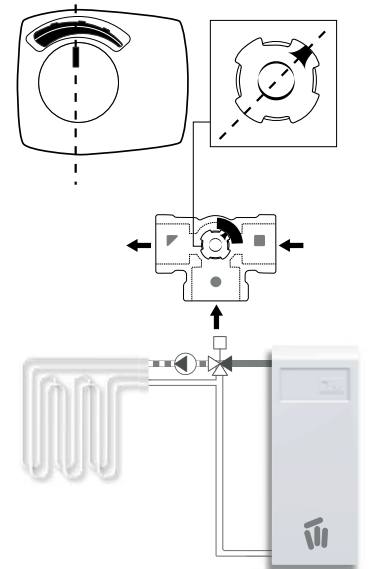
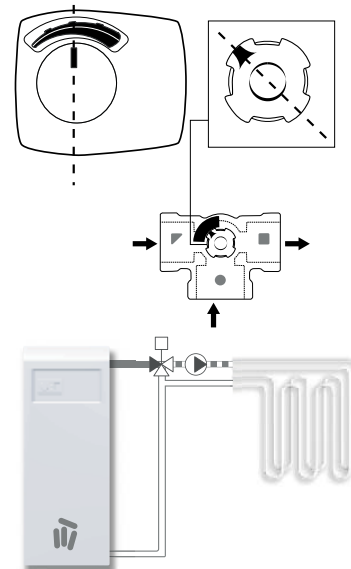
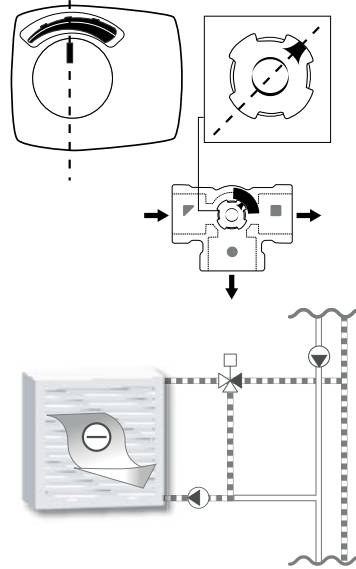
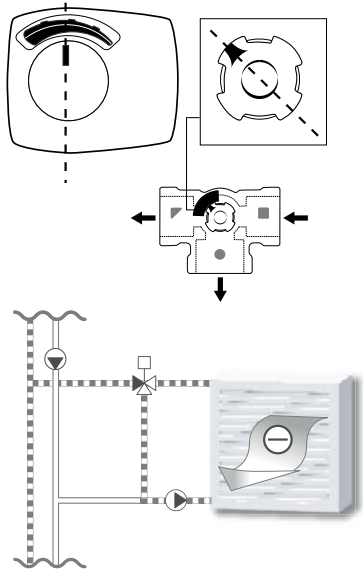
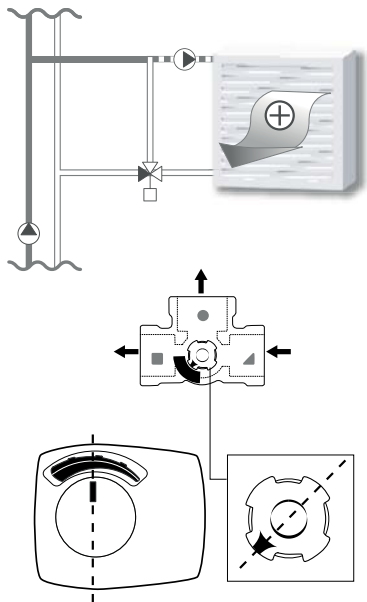
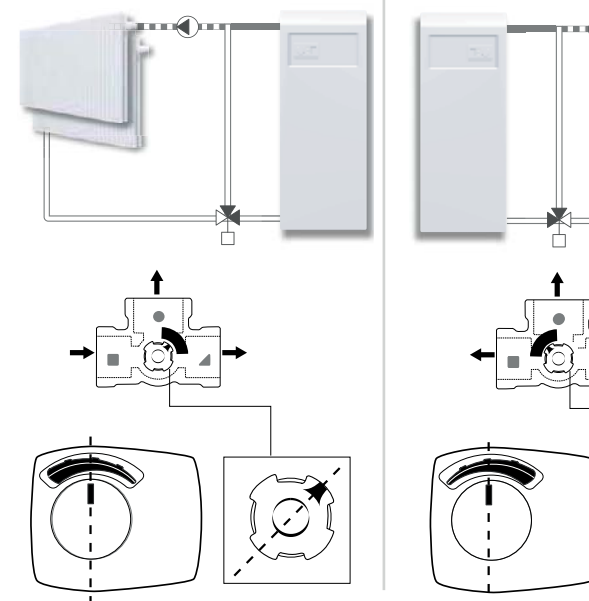
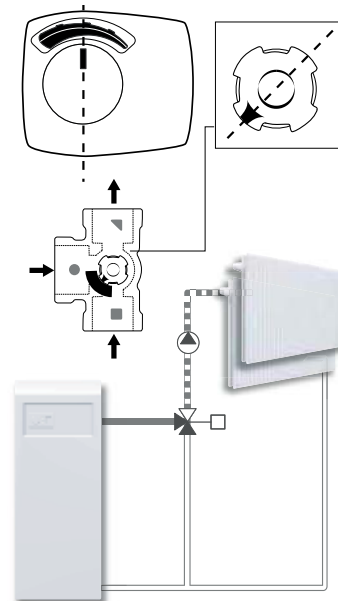
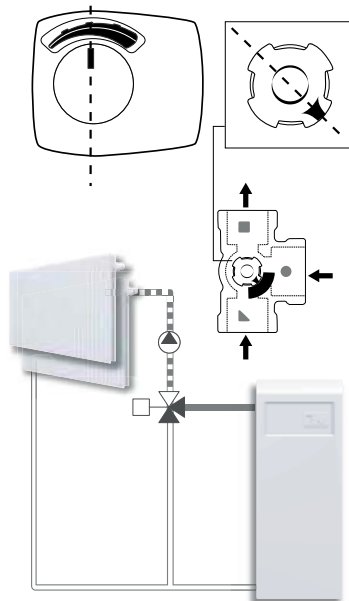
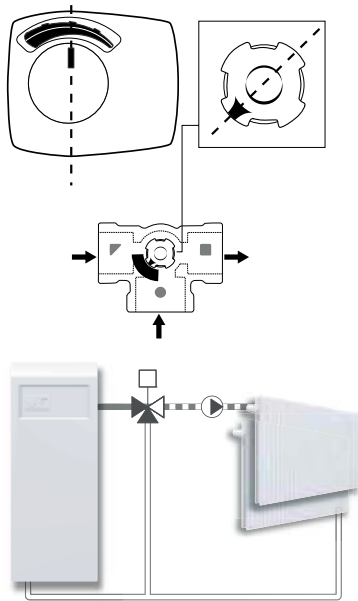
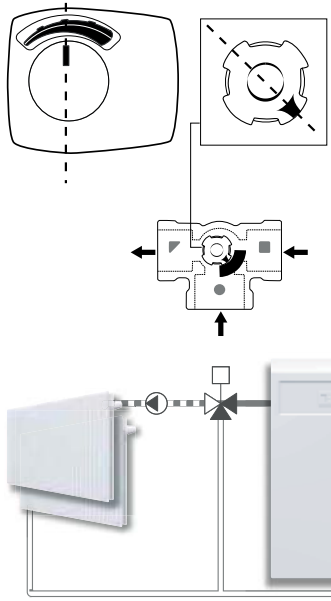


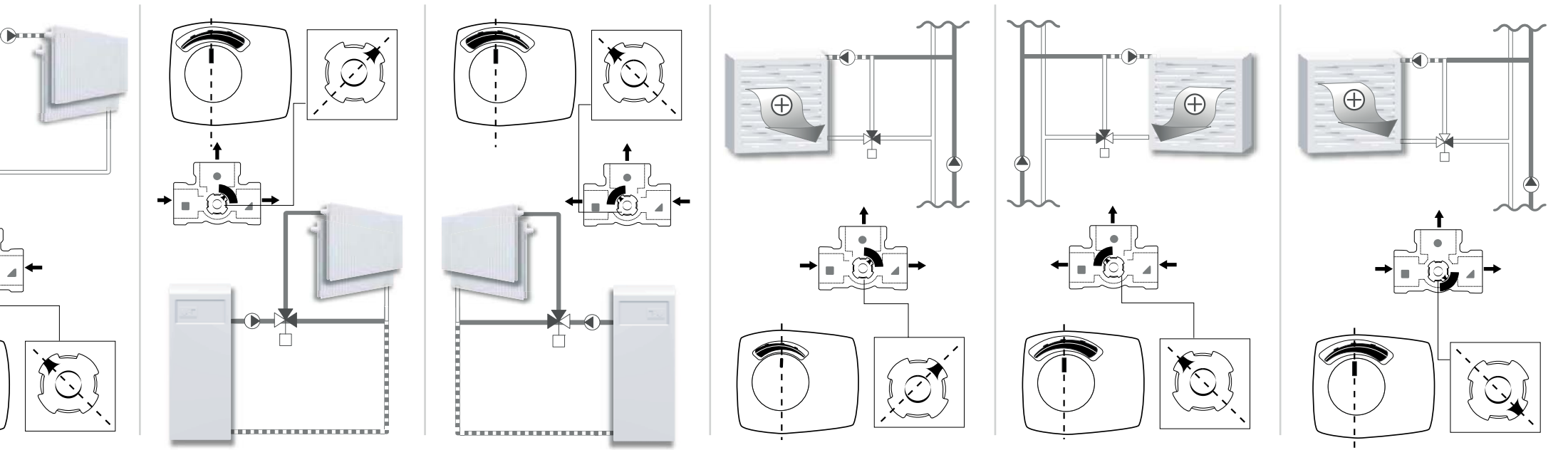
**SERIES ARA600 2-Point**



NO.1 IN HYDRONIC SYSTEM CONTROL

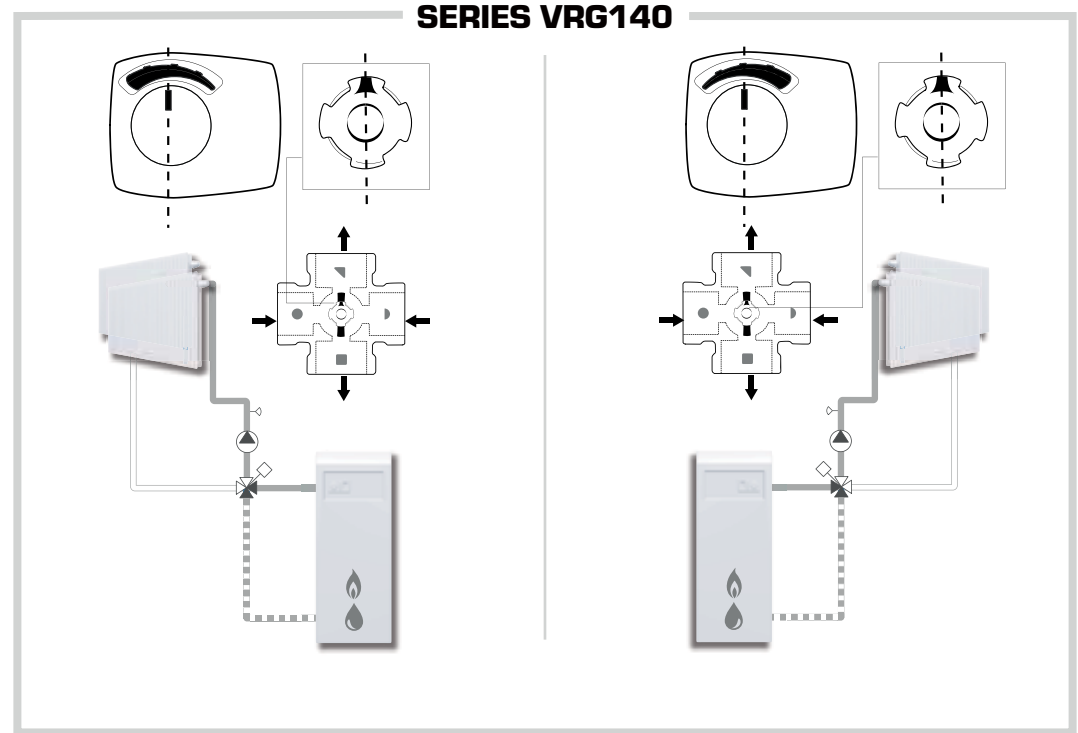
# SERIES VRG130





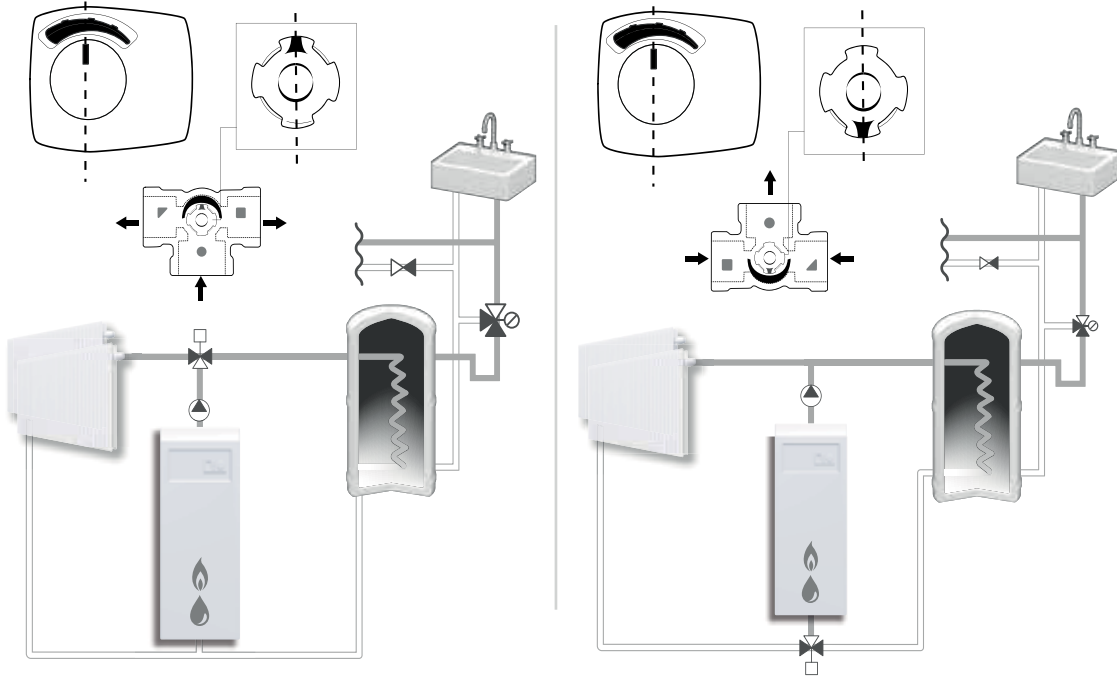
**SERIES VRG130**

**SERIES VRG140**

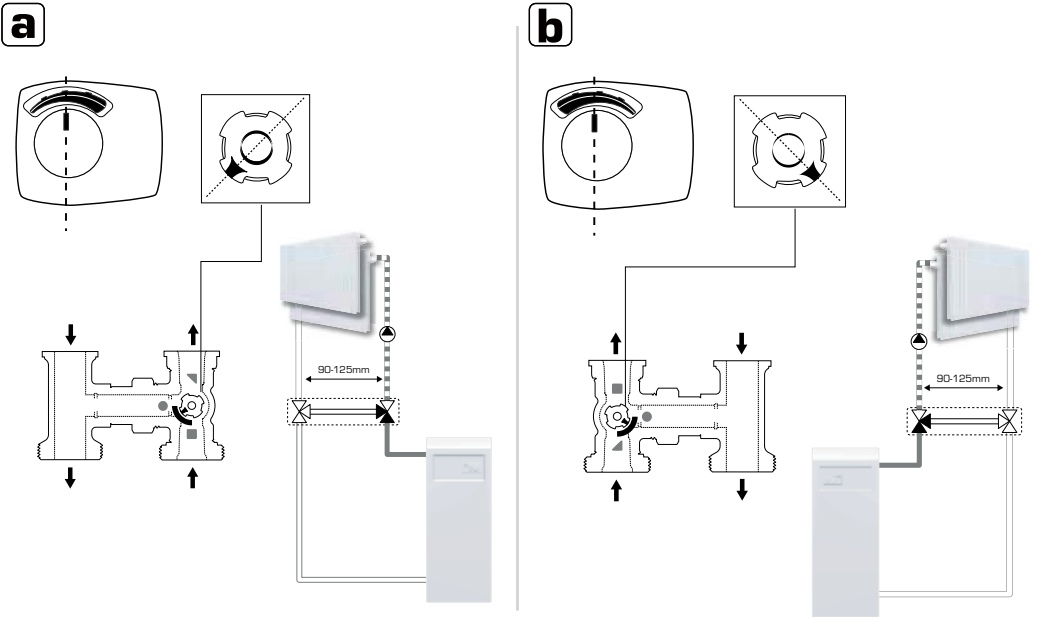


*Piping Schematics are General Representations*

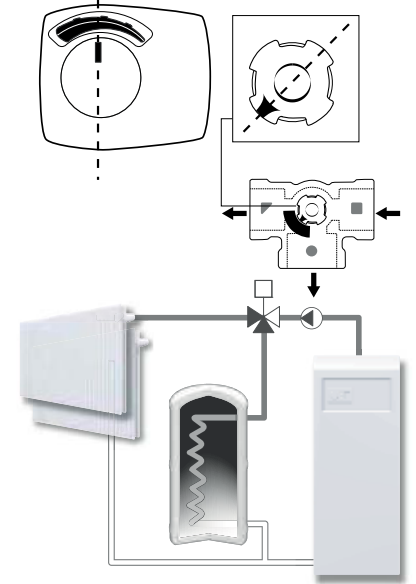
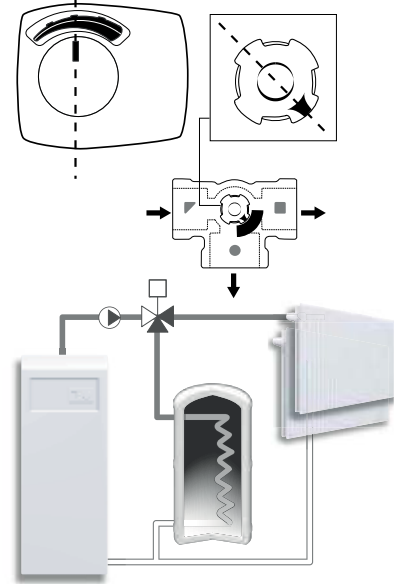
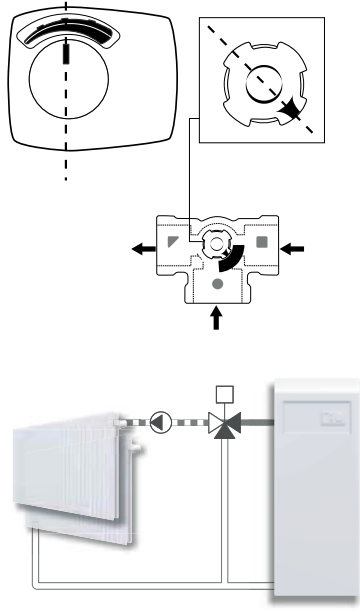
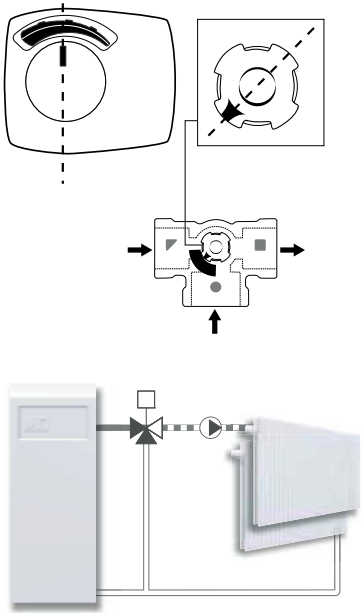
### SERIES VRG230



### SERIES VRH130

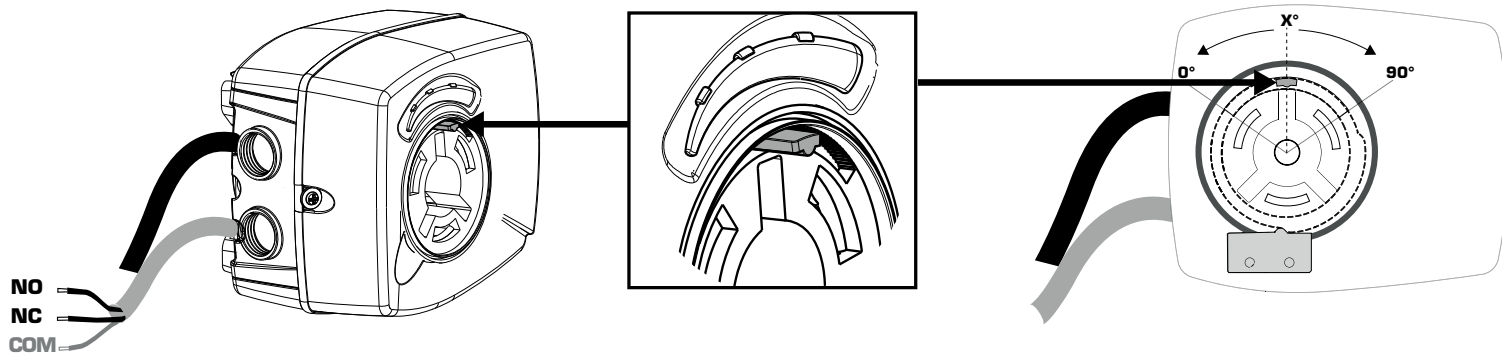


# SERIES VRG330





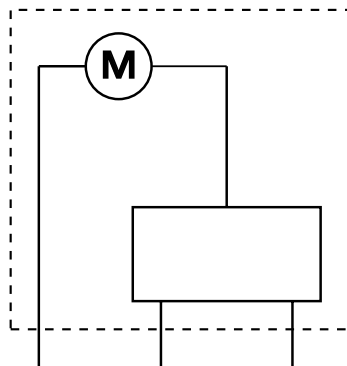
# SERIES ARA636, ARA638, ARA646, ARA648, ARA656, ARA658



|    | 0° - (90° - x°) | (90° - x°) - 90° |
|----|-----------------|------------------|
| NO |                 |                  |
| NC |                 |                  |
|    | X° = 45°        |                  |



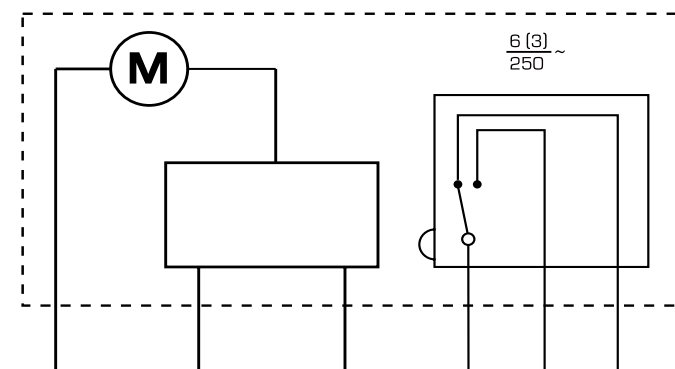
## Series ARA635, ARA637, ARA645, ARA647, ARA655, ARA657



|         |         |             |            |
|---------|---------|-------------|------------|
| 2points | N<br>bu | Y<br>bk     | L<br>bn    |
| 3points | N<br>bu | ↺ CCW<br>bk | ↻ CW<br>bn |



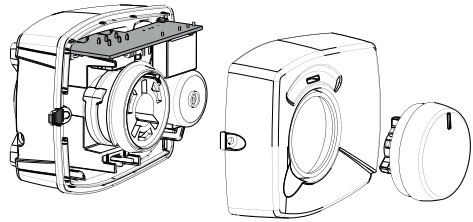
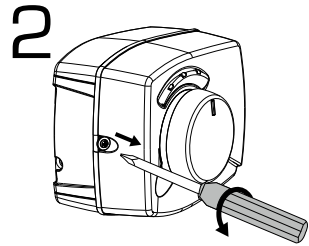
## Series ARA636, ARA638, ARA646, ARA648, ARA656, ARA658



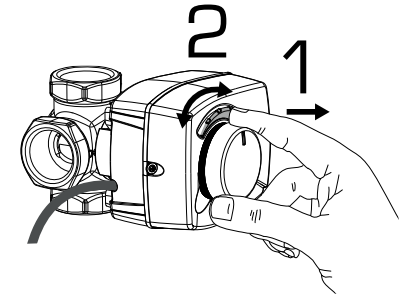
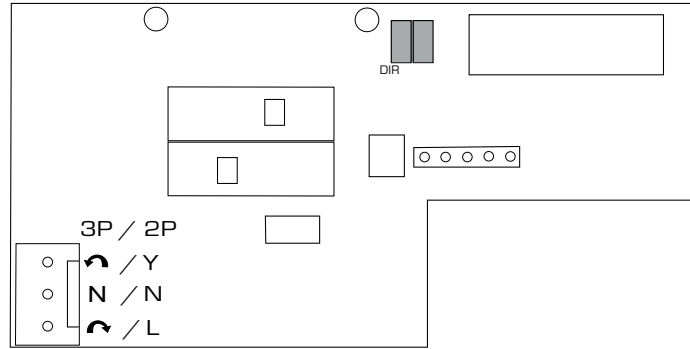
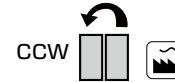
|         |         |             |            |         |          |          |
|---------|---------|-------------|------------|---------|----------|----------|
| 2points | N<br>bu | Y<br>bk     | L<br>bn    | C<br>wh | NO<br>rd | NC<br>og |
| 3points | N<br>bu | ↺ CCW<br>bk | ↻ CW<br>bn | C<br>wh | NO<br>rd | NC<br>og |



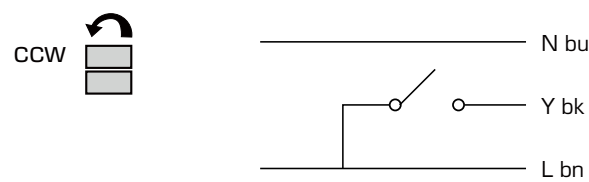
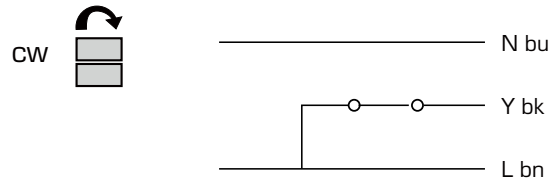
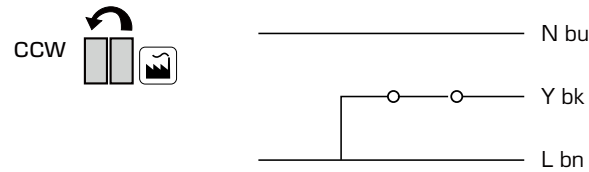
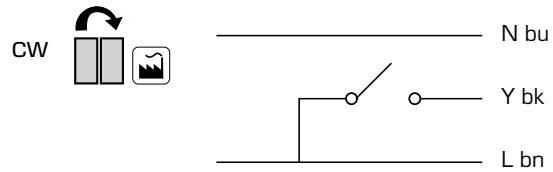
1



**DIRECTION**



**DIRECTION 2-POINT**



**DIRECTION 3-POINT**

